



# Description and Wiring Diagrams

## Model HR-1 & HR-2 Headset (300534 Series)



### General Description

The Telex HR-1 & HR-2 are medium-weight noise-reduction headsets with dynamic microphones. They both have a noise reduction rating of 21dB, and are suitable for use in moderately noisy environments. All models feature a unique headband design that distributes ear cushion pressure evenly over the entire ear with no pressure points, unlike conventional designs which apply more pressure on the bottom of the ear than on the top. An added advantage of this design is that the headset folds into an extremely compact shape for storage.

### Design Features

Comfortable foam-filled headband pad and ear cushions. The headband pad evenly distributes the headset weight, with no pressure points, for maximum wearer comfort. The ear cushions combine comfort and light weight with excellent acoustic seal. An outer urethane layer ensures long life. Gel-filled ear cushions are also available for this headset for users who prefer this type. All cushions are field-replaceable.

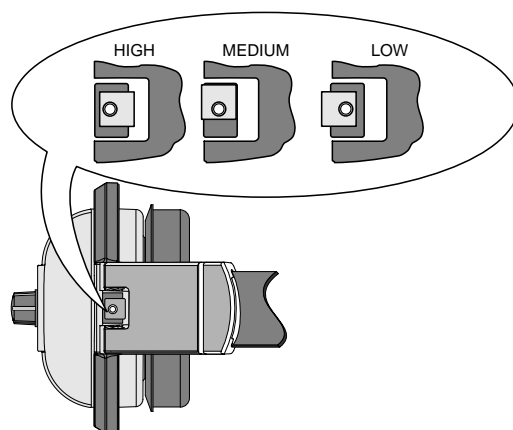
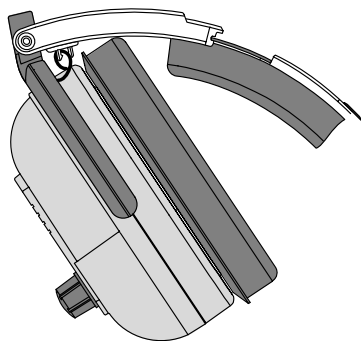
**Boom Microphone:** The boom arm features a sealed ball-and-socket joint and flexible boom for precise microphone placement on any head size. The boom rotates overhead for microphone placement on either side of the head. The microphone cartridge is a dynamic element. The cartridge removes for replacement by loosening two screws and unsoldering the cartridge.

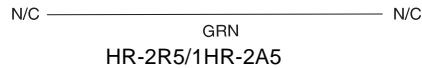
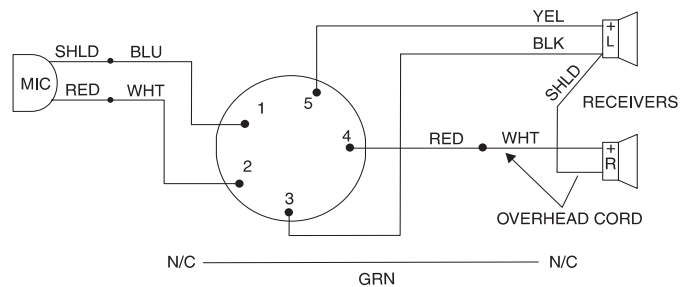
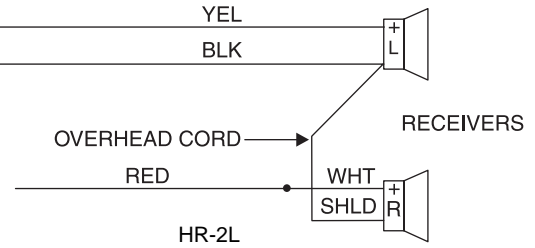
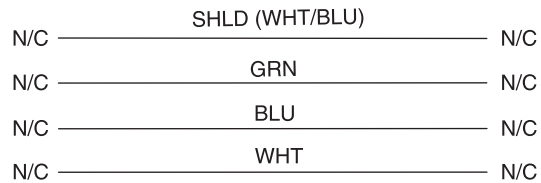
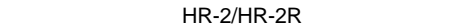
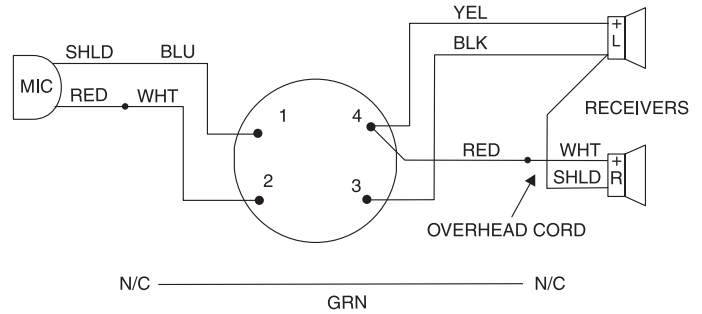
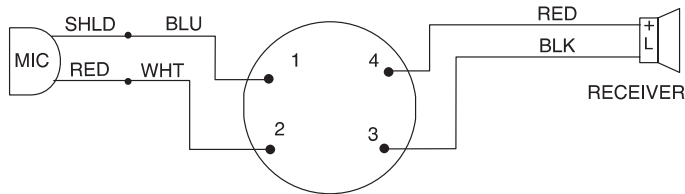
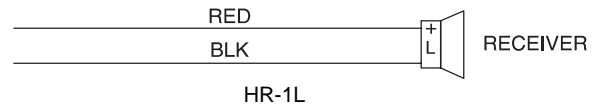
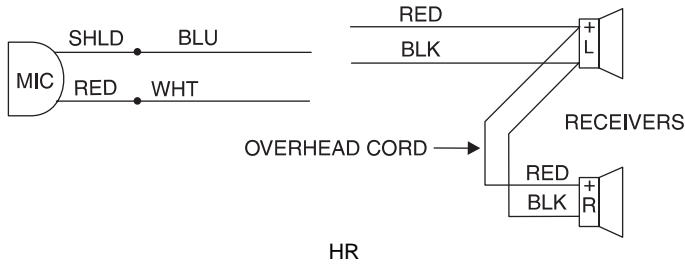
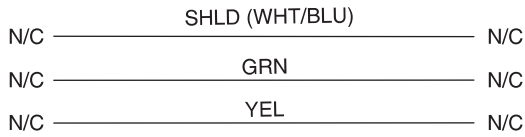
**Cordage:** The microphone cordage is protected inside the boom arm. Shielded wire throughout the headset protects against RFI and EMI. Strain-reliefs on all cords provide maximum durability.

### Operation

#### Headband Pressure Adjustments

There are three pressure settings. Increasing the pressure will improve the seal between the earcup and the head for greater noise reduction. To change the pressure setting, remove the headset and fold the earcup inward as shown, then rotate the adjustment knob to the desired setting. Repeat for both earcups. Both sides of the headband should be set to the same pressure setting to keep the headband properly centered on the head.





## SPECIFICATIONS

### Receivers:

Type: Dynamic  
 Frequency Response: 50 Hz-15 kHz  
 Sensitivity: 100 5 dB SPL (1 kHz, 1 mW input)  
 Impedance (at 1 kHz): 150 ohms (receivers wired in parallel)

### Microphone and Amplifier:

Element Type: Noise-canceling dynamic  
 Frequency Response: 100 Hz- 8 kHz  
 Sensitivity: -53 +2/-1 dB (ref:1 V/ bar at 1 kHz with 12 Vdc supply voltage and 100-ohm load)  
 Matching Impedance: 50-600 ohms

### Cordage:

HR-1 & HR-2: Straight cord, 5 ft. (1.5 m)

### Connectors:

4 pin XLR male or female, 5 pin XLR male or female

### Weight:

Gross Weight: Approx 16 oz. (454 g)  
 Effective Head Weight: Approx 14.2 oz. (403 g)

Color: Black

## ORDERING INFORMATION

HR-2	Double sided w/boom, 4 pin female connector .....	Catalog no. 300534-000
HR-2R	Double sided w/boom, 4 pin male connector .....	Catalog no. 300534-001
HR-2R5	Double sided w/boom, 5 pin male connector .....	Catalog no. 300534-002
HR-2A5	Double sided w/boom, 5 pin female connector .....	Catalog no. 300534-010
HR	Double sided w/boom, no connector .....	Catalog no. 300534-003
HR-2L	Double sided listen only, no connector .....	Catalog no. 300534-004
HR-1L	Single sided listen only, no connector .....	Catalog no. 300534-005
HR	Single sided w/boom, no connector .....	Catalog no. 300534-006
HR-1	Single sided, w/boom, 4 pin female connector .....	Catalog no. 300534-007
HR1R	Single sided, w/boom, 4 pin male connector .....	Catalog no. 300534-008
HR1-R5	Single sided, w/boom, 5 pin male connector .....	Catalog no. 300534-009

# TELEX®